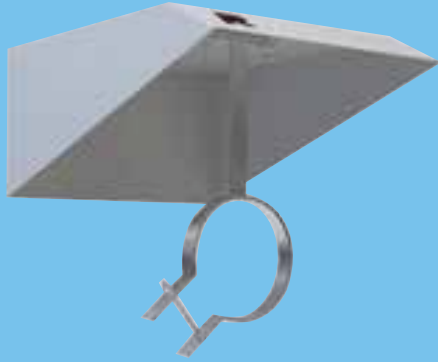


FRP Instrument Sunshades



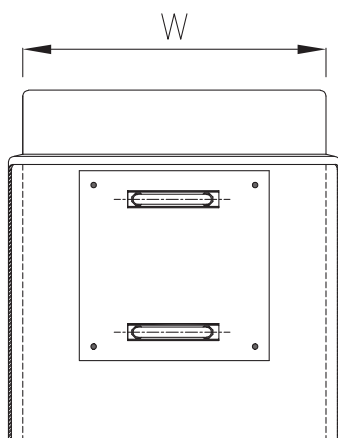
Bespoke Mounting-Type I



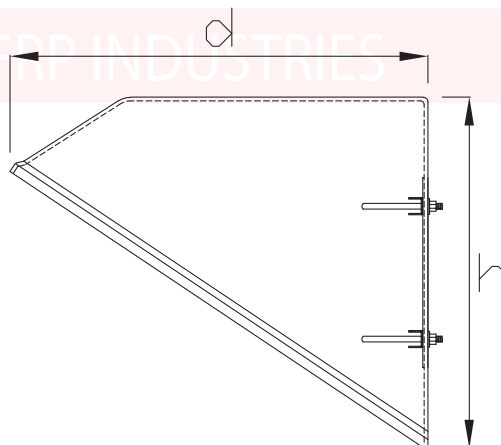
Bespoke Mounting-Type II

All dimensions are in mm

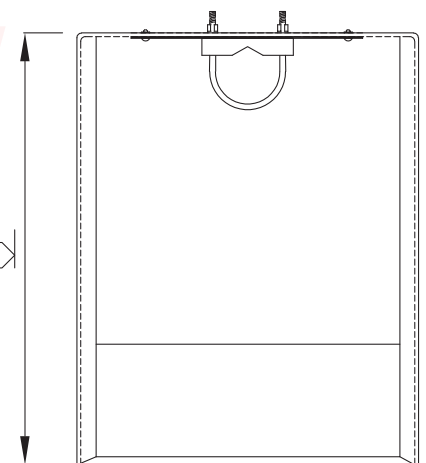
S.No.	Model Number	External Size			No. of Clamp
		w	d	h	
1	FIS210365100	210	365	100	1
2	FIS230300180	230	300	180	1
3	FIS250300120	250	300	120	1
4	FIS300300150	300	300	150	1
5	FIS330250140	330	250	140	1
6	FIS350350300	350	350	300	2
7	FIS360420370	360	420	370	2
8	FIS400400270	400	400	270	2
9	FIS400450330	400	450	330	2
10	FIS820420370	820	420	370	2



FRONT ELEVATION



SECTIONAL ELEVATION



SECTIONAL PLAN

Disclaimer: FRP Industries reserves the right to amend the design shown in this document without prior notice